

COMMERCIAL SEATING

# VICTA

## Mid Back Foldaway 3-Point



Make way for **VICTA**, a fresh approach to commercial seating designed to address the changing demands of the market in both seat design and service. VICTA transforms how we think about commercial vehicle interiors. More than just a seat, VICTA delivers versatility, innovation, and unparalleled styling to set your vehicle apart.

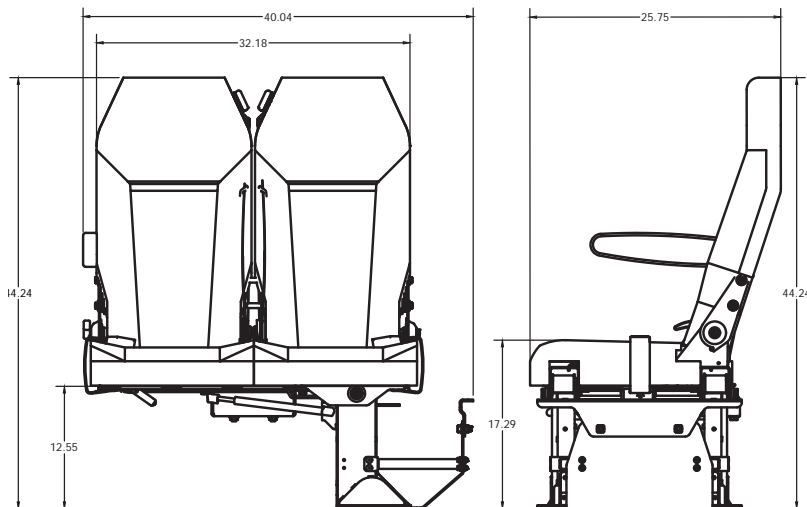
Each seat represents a commitment to comfort, seamlessly blending biomechanical design and safety engineering with contemporary aesthetics to transform travel from standard to standout. This isn't just about moving people; it's about elevating how they move.

**VICTA - Beyond Seating. Elevating Travel.**

**HSM**  
Transportation



**Standard Double Seat Weight - No Options -118.6#**



**FEATURES**

- Double and Single Seat Available
- Reclining Back
- Clean and modern styling
- Same height as mid-back, compliments hi-back
- Contoured for comfort
- Single leg floor mount (additional wall bracket available)
- Meets FMVSS 207/210
- Level 2 cover materials
- Accent stripe color included
- VICTA Accent stitch pattern
- Matching material on seat back

**OPTIONS**

- No, Lap or 3-Point Seat Belts
- Molded or Upholstered Arm Rests
- ADA Compliant Grab Handle
- LATCH Hooks
- Map Pocket
- Carpeted Seat Back
- Additional cover material



Contact our Seating Design Experts to configure your next bus or van build.  
 Learn More at: [www.hsmtransportation.com](http://www.hsmtransportation.com) or CALL 800-437-4220

