

COMMERCIAL SEATING

VICTA

Lightweight LBR



Make way for **VICTA**, a fresh approach to commercial seating designed to address the changing demands of the market in both seat design and service. VICTA transforms how we think about commercial vehicle interiors. More than just a seat, VICTA delivers versatility, innovation, and unparalleled styling to set your vehicle apart.

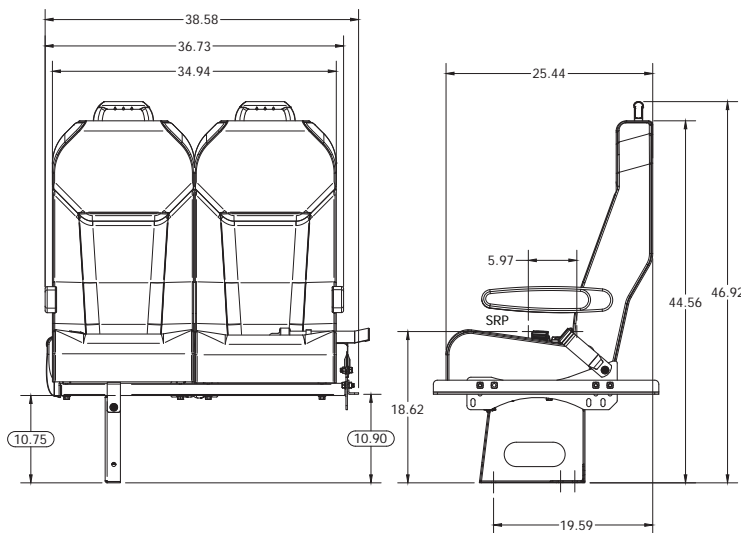
Each seat represents a commitment to comfort, seamlessly blending biomechanical design and safety engineering with contemporary aesthetics to transform travel from standard to standout. This isn't just about moving people; it's about elevating how they move.

VICTA - Beyond Seating. Elevating Travel.

HSM
Transportation



Standard Double Seat Weight - No Options
Mid-Back 57#
Lo-Back 49#



FEATURES LAP BELT READY SEATS

- Available in Lo and Mid-Back Rigid
- Singles or Doubles
- Covers – base & accent color included – Level 2
- Matching material on seat backs
- Standard 12.25" leg

OPTIONS

- No belts, static lap belts, or retractable lap belts
- Mounting: Floor Only, Track Mount, Floor-Wall and Wheel Well
- Wheel well leg and alternate height legs
- Multiple cover materials and colors available
- Carpet on back of seat

MID-BACK ONLY

- ADA Complaint Grab handle
- Molded or Upholstered armrests



Contact our Seating Design Experts to configure your next bus or van build.
 Learn More at: www.hsmtransportation.com or CALL 800-437-4220

